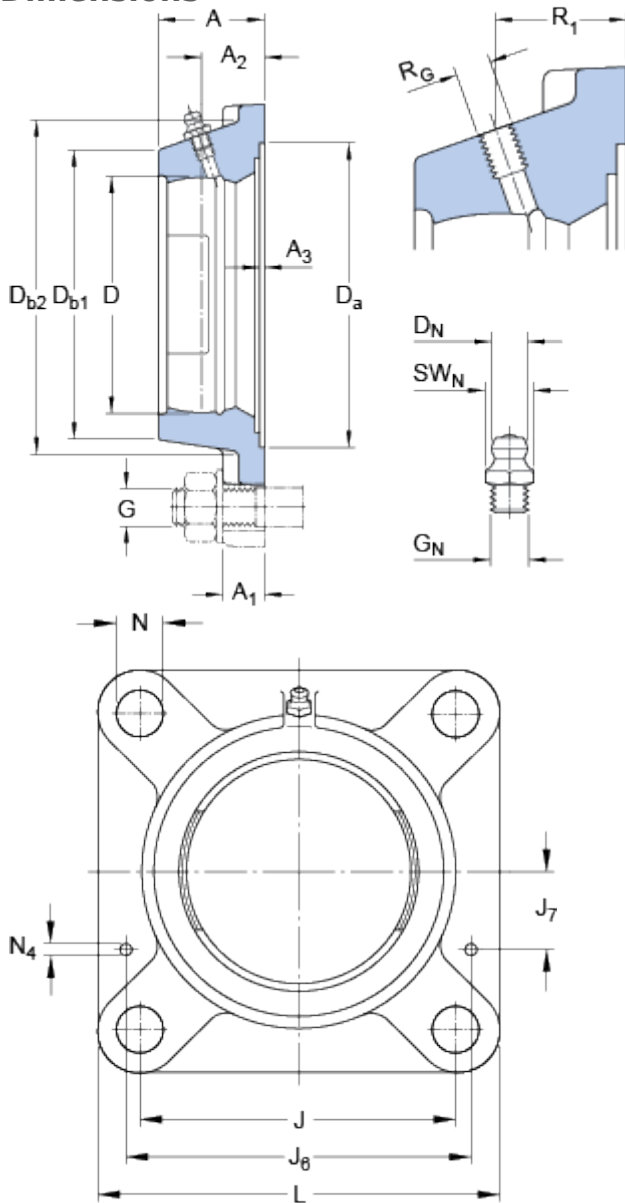


# FYJ 512

## Dimensions



D		110	mm
D <sub>a</sub>	H11	161.9	mm
D <sub>b1</sub>		140	mm
D <sub>b2</sub>		140	mm
A		48	mm
A <sub>1</sub>		18	mm
A <sub>2</sub>		29	mm
A <sub>3</sub>	H14	3.2	mm
J		143	mm
L		175	mm
N		19	mm

### Threaded hole

R <sub>G</sub>		1/4-28 UNF	
R <sub>1</sub>		28.5	mm

### Grease fitting

D <sub>N</sub>		6.5	mm
SW <sub>N</sub>		7	mm
G <sub>N</sub>		1/4-28 SAE-LT	

### Dowel pins

J <sub>6</sub>		161	mm
J <sub>7</sub>		49.5	mm
N <sub>4</sub>		4	mm

## Mass

Mass housing		2.6	kg
--------------	--	-----	----

## Mounting information

Recommended diameter for attachment bolts, mm	G	16	mm
Recommended diameter for attachment bolts, inch	G	0.625	in