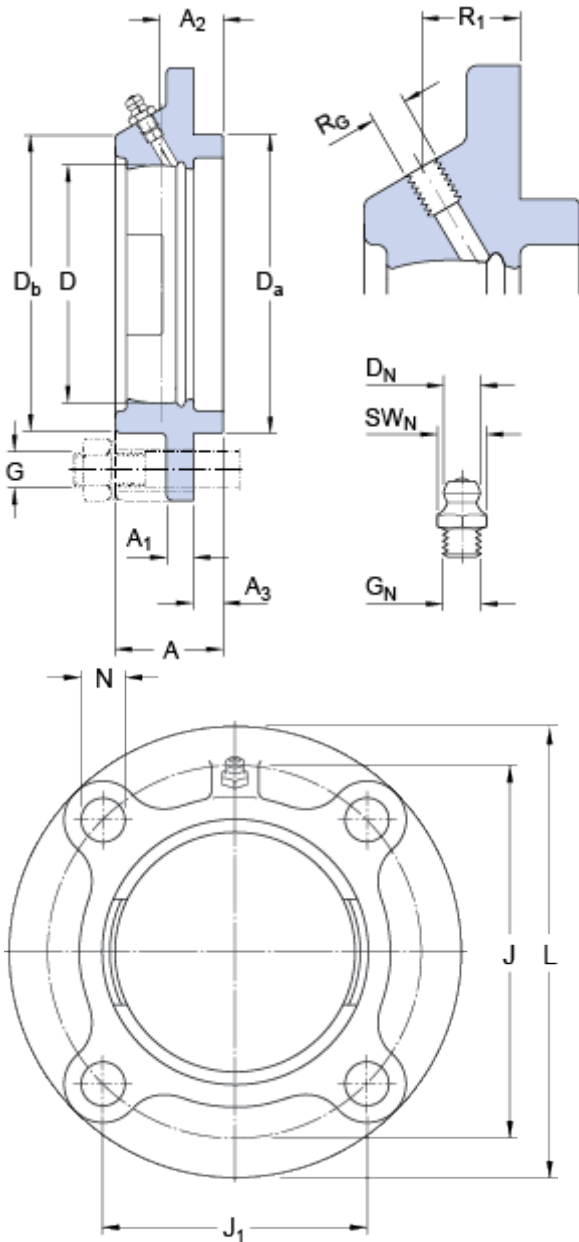


# FYC 507

## Dimensions



D		72	mm
Da	h8	90	mm
Db		90.1	mm
A		33.5	mm
A <sub>1</sub>		9	mm
A <sub>2</sub>		19	mm
A <sub>3</sub>		8	mm
J		110	mm
J <sub>1</sub>		77.8	mm
L		135	mm
N		14	mm

### Threaded hole

R <sub>G</sub>		1/4-28 UNF	
R <sub>1</sub>		17	mm

### Grease fitting

D <sub>N</sub>		6.5	mm
SW <sub>N</sub>		7	mm
G <sub>N</sub>		1/4-28 SAE-LT	

## Mass

Mass housing	1.15	kg
--------------	------	----

## Mounting information

Recommended diameter for attachment bolts, mm	G	12	mm
Recommended diameter for attachment bolts, inch	G	0.5	in