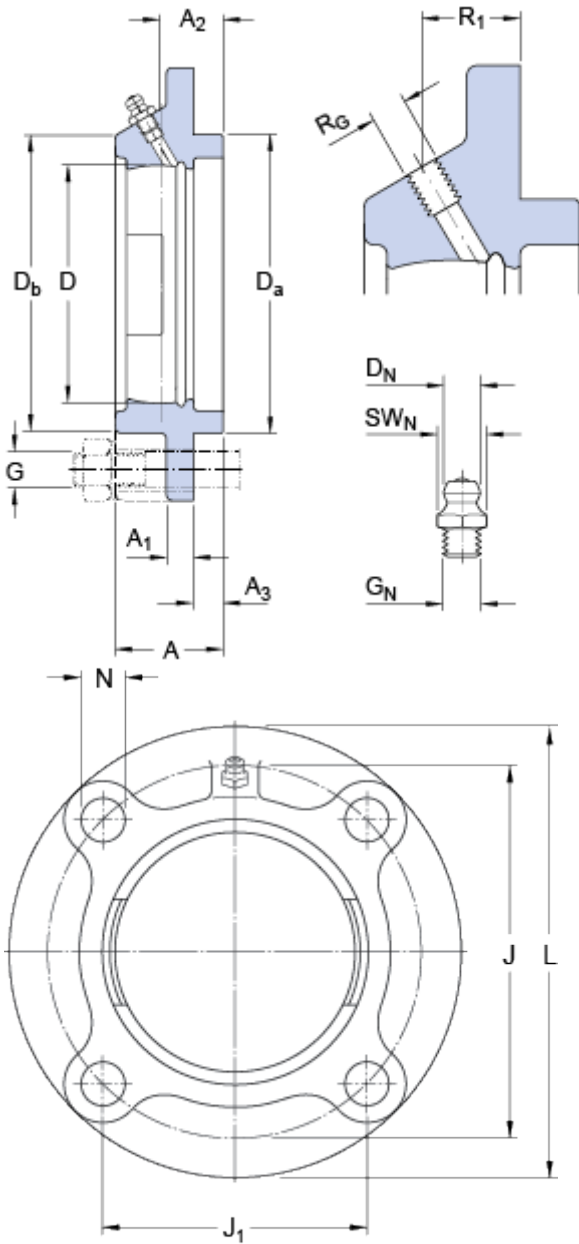


FYC 506

Dimensions



D	62	mm
D_a	h8 80	mm
D_b	81.1	mm
A	31	mm
A_1	8	mm
A_2	18	mm
A_3	8	mm
J	100	mm
J_1	70.7	mm
L	125	mm
N	12	mm

Threaded hole

R_G	1/4-28 UNF
R_1	16.5 mm

Grease fitting

D_N	6.5	mm
SW_N	7	mm
G_N	1/4-28 SAE-LT	

Mass

Mass housing	0.95	kg
--------------	------	----

Mounting information

Recommended diameter for attachment bolts, mm	G	10	mm
Recommended diameter for attachment bolts, inch	G	0.375	in