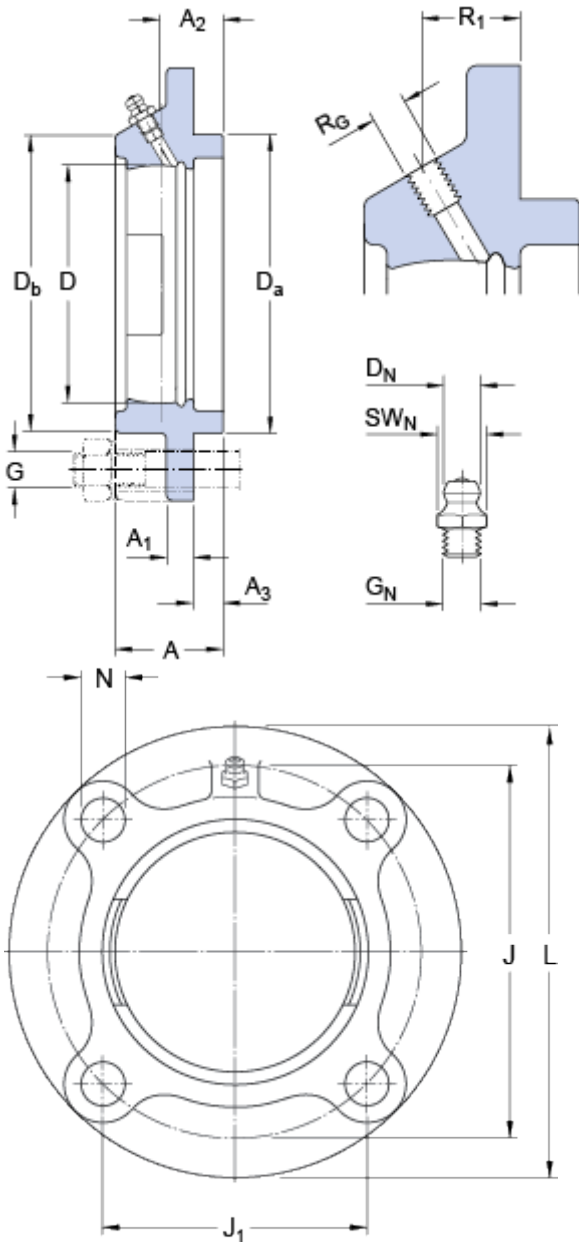


FYC 505

Dimensions



D	52	mm
D_a	h8 70	mm
D_b	70	mm
A	27	mm
A_1	7	mm
A_2	16	mm
A_3	6	mm
J	90	mm
J_1	63.6	mm
L	115	mm
N	12	mm

Threaded hole

R_G	1/4-28 UNF
R_1	16 mm

Grease fitting

D_N	6.5 mm
SW_N	7 mm
G_N	1/4-28 SAE-LT

Mass

Mass housing	0.75	kg
--------------	------	----

Mounting information

Recommended diameter for attachment bolts, mm	G	10	mm
Recommended diameter for attachment bolts, inch	G	0.375	in