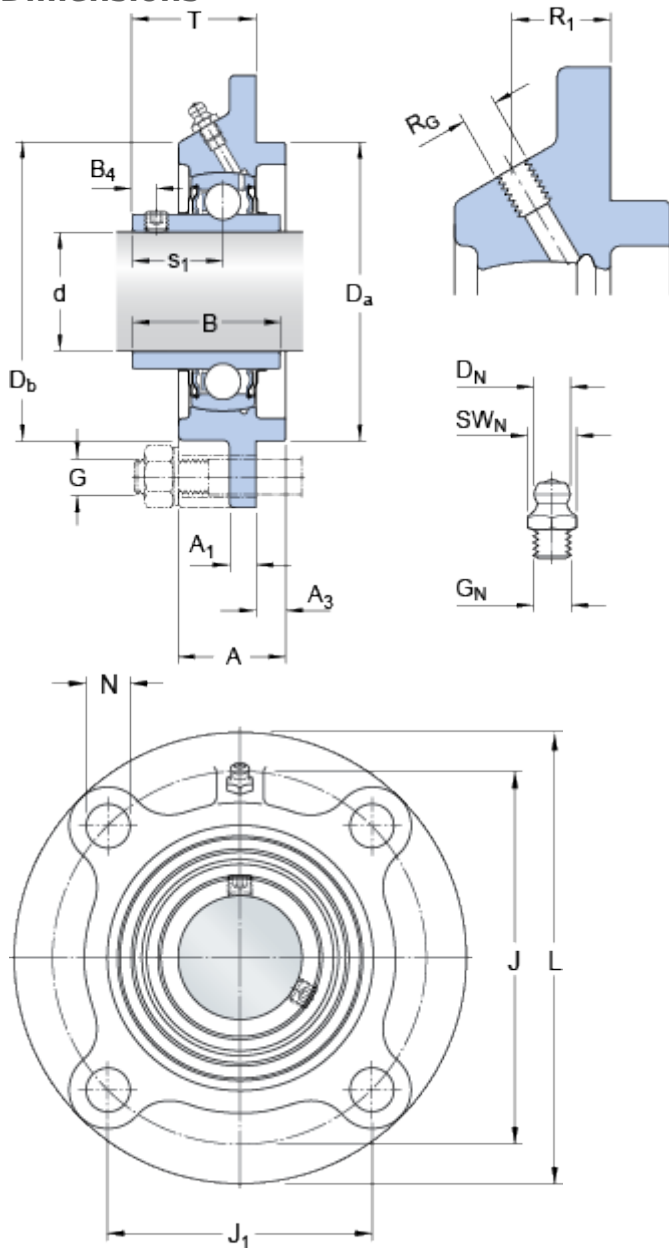


FYC 35 TF

Housing material

Cast iron

Dimensions



d	35	mm
A	33.5	mm
A ₁	9	mm
A ₃	8	mm
B	42.9	mm
B ₄	6	mm
D _a	h8 90	mm
D _b	90.1	mm
J	110	mm
J ₁	77.8	mm
L	135	mm
N	14	mm
s ₁	25.4	mm
T	36.4	mm

Threaded hole

R_G 1/4-28 UNF

R₁ 17 mm

Grease fitting

D_N 6.5 mm

SW_N 7 mm

G_N 1/4-28 SAE-LT

Calculation data

Basic dynamic load rating	C	25.5	kN
Basic static load rating	C	15.3	kN
Fatigue load limit	P _u	0.655	kN
Limiting speed with shaft tolerance h6		5300	r/min

Mass

Mass unit	1.55	kg
-----------	------	----

Mounting information

Thread grub screw	G ₂	M6x0.75
Hexagonal key size for grub screw	N	3 mm
Recommended tightening torque for grub screw		4 N·m

Recommended diameter for attachment bolts, mm	G	12	mm
Recommended diameter for attachment bolts, inch	G	0.5	in

Appertaining products

Bearing	YAR 207-2F
Housing	FYC 507