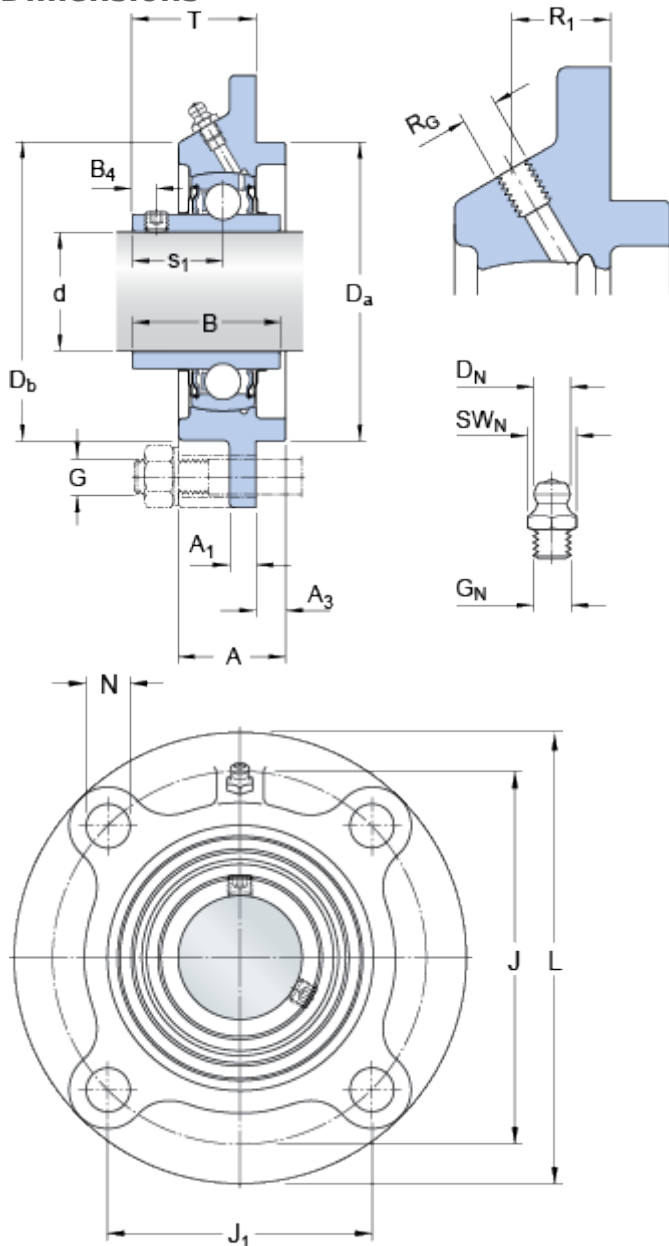


# FYC 20 TF

Housing material

Cast iron

## Dimensions



d	20	mm
A	25.5	mm
A <sub>1</sub>	7	mm
A <sub>3</sub>	5	mm
B	31	mm
B <sub>4</sub>	4.5	mm
D <sub>a</sub>	h8 62	mm
D <sub>b</sub>	61	mm
J	78	mm
J <sub>1</sub>	55.2	mm
L	100	mm
N	12	mm
s <sub>1</sub>	18.3	mm
T	28.3	mm

## Threaded hole

R<sub>G</sub> 1/4-28 UNF

R<sub>1</sub> 14.5 mm

## Grease fitting

D<sub>N</sub> 6.5 mm

SW<sub>N</sub> 7 mm

G<sub>N</sub> 1/4-28 SAE-LT

## Calculation data

Basic dynamic load rating	C	12.7	kN
Basic static load rating	C	6.55	kN
Fatigue load limit	P <sub>u</sub>	0.28	kN
Limiting speed with shaft tolerance h6		8500	r/min

## Mass

Mass unit 0.67 kg

## Mounting information

Thread grub screw	G <sub>2</sub>	M6x0.75
Hexagonal key size for grub screw	N	3 mm
Recommended tightening torque for grub screw		4 N·m

Recommended diameter for attachment bolts, mm	G	10	mm
Recommended diameter for attachment bolts, inch	G	0.375	in

### **Appertaining products**

---

Bearing	YAR 204-2F
Housing	FYC 504