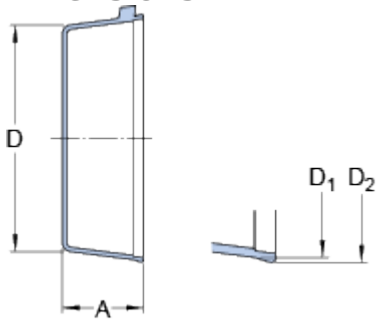


# ECY 207

## Dimensions



A	27	mm
D	68.9	mm
D <sub>1</sub>	75	mm
D <sub>2</sub>	76.5	mm

## Mass

Mass end cover

0.02

kg