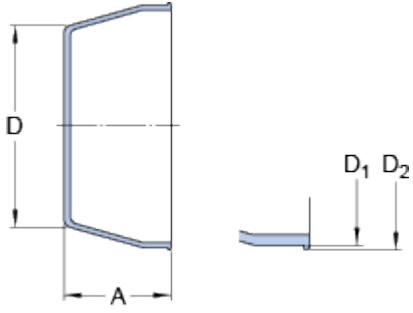


ECL 206

Dimensions



A	30	mm
D	53.8	mm
D ₁	64	mm
D ₂	65	mm

Mass

Mass end cover

0.01

kg