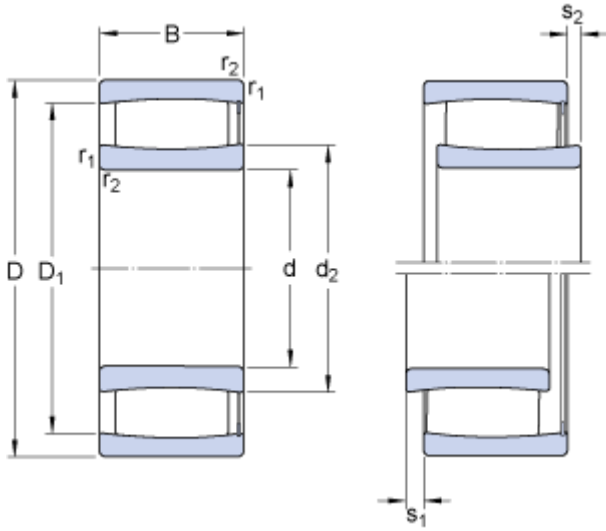


C 4910 V

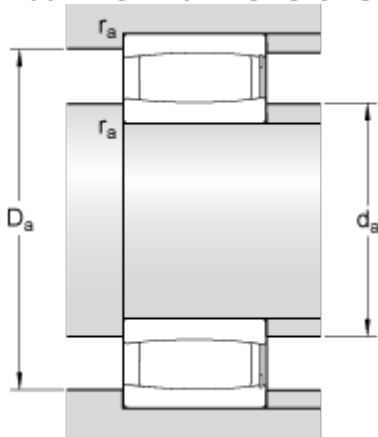
SKF Explorer

Dimensions



d	50	mm
D	72	mm
B	22	mm
d ₂	≈ 56.9	mm
D ₁	≈ 66.1	mm
s ₁	max. 4.7	mm
s ₂	max. 1.7	mm
r _{1,2}	min. 0.6	mm

Abutment dimensions



d _a	min. 53.2	mm
d _a	max. 62	mm
D _a	max. 68.8	mm
r _a	max. 0.6	mm

Calculation data

Basic dynamic load rating	C	86.5	kN
Basic static load rating	C	125	kN
Fatigue load limit	P _u	14.6	kN
Limiting speed		3600	r/min
Misalignment factor	k ₁	0.103	
Operating clearance factor	k ₂	0.114	

Mass

Mass bearing	0.29	kg
--------------	------	----