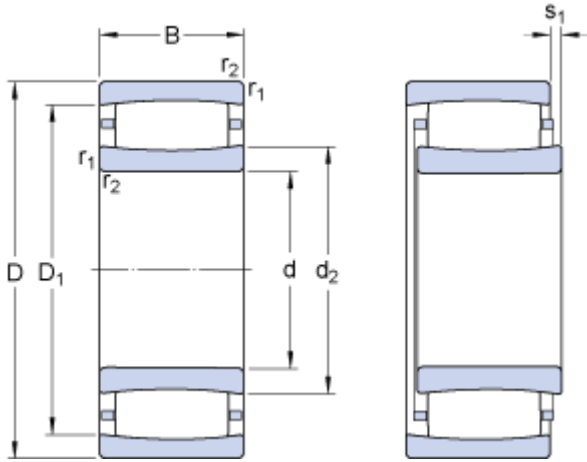


# C 2316

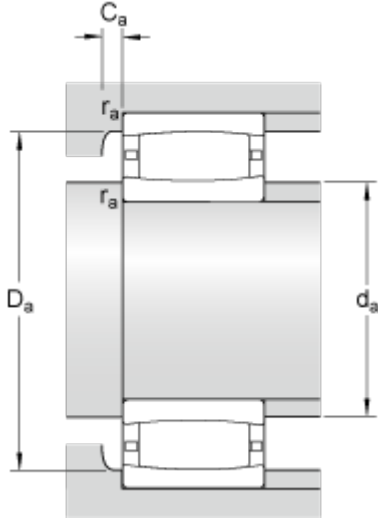
SKF Explorer

## Dimensions



$d$	80	mm
$D$	170	mm
$B$	58	mm
$d_2$	≈ 102	mm
$D_1$	≈ 146	mm
$s_1$	max. 10.1	mm
$r_{1,2}$	min. 2.1	mm

## Abutment dimensions



$d_a$	min.	92	mm
$d_a$	max.	119	mm
$D_a$	min.	133	mm
$D_a$	max.	158	mm
$C_a$	min.	2.4	mm
$r_a$	max.	2	mm

A negative value for  $C_a$  is theoretical.

## Calculation data

Basic dynamic load rating	$C$	510	kN
Basic static load rating	$C$	550	kN
Fatigue load limit	$P_u$	60	kN
Reference speed		3400	r/min
Limiting speed		4500	r/min
Misalignment factor	$k_1$	0.107	
Operating clearance factor	$k_2$	0.101	

## Mass

Mass bearing		6.3	kg
--------------	--	-----	----