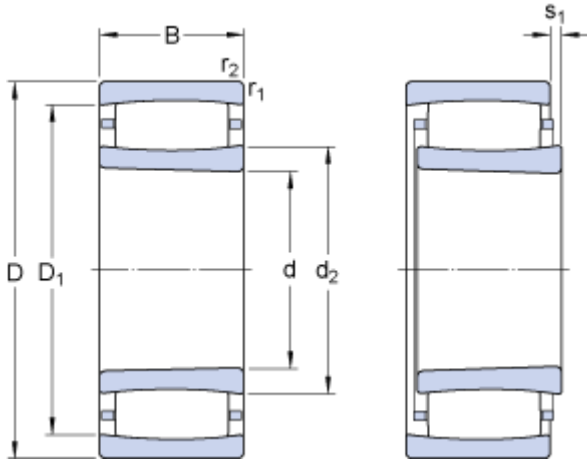


C 2207 KTN9

SKF Explorer

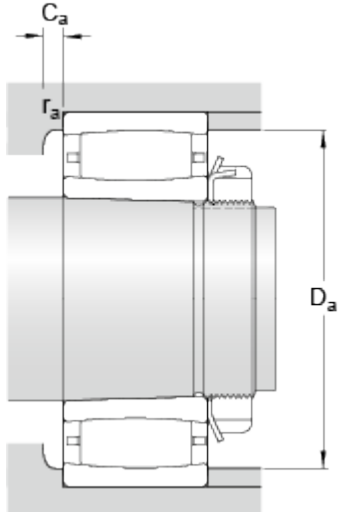
Dimensions



d		35	mm
D		72	mm
B		23	mm
d_2	≈	44.8	mm
D_1	≈	60.7	mm
s_1	max.	5.7	mm
$r_{1,2}$	min.	1.1	mm

Tapered bore, taper 1:12

Abutment dimensions



D_a	min.	58.5	mm
D_a	max.	65	mm
C_a	min.	0.1	mm
r_a	max.	1	mm

A negative value for C_a is theoretical.

Calculation data

Basic dynamic load rating	C	83	kN
Basic static load rating	C	80	kN
Fatigue load limit	P_u	9.3	kN
Reference speed		9500	r/min
Limiting speed		13000	r/min
Misalignment factor	k_1	0.094	
Operating clearance factor	k_2	0.121	

Mass

Mass bearing		0.43	kg
--------------	--	------	----