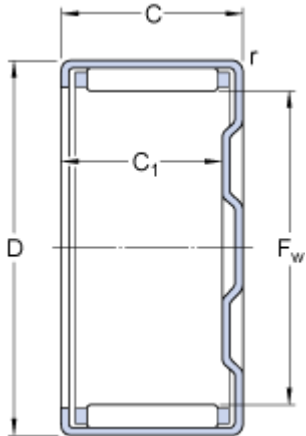


BK 2520

Dimensions



F_w	25	mm
D	32	mm
C	20	mm
C_1	min. 17.3	mm
r	min. 0.8	mm

Calculation data

Basic dynamic load rating	C	19	kN
Basic static load rating	C	32.5	kN
Fatigue load limit	P_u	4	kN
Reference speed		9500	r/min
Limiting speed		11000	r/min

Mass

Mass bearing		0.038	kg
Designation		BK 2520	

Associated products

Inner ring IR series	IR 20x25x20.5
Inner ring LR series	LR 20x25x20.5
Radial shaft seal with a low cross-sectional height, single lip	G 25x32x4