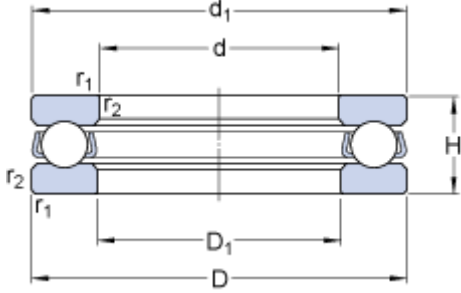


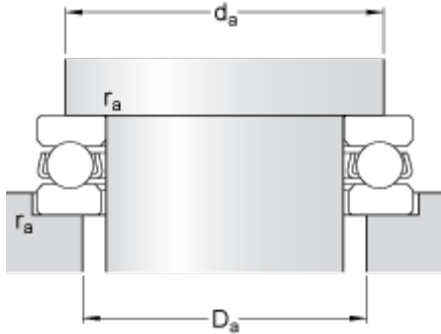
BA 8

Dimensions



d	8	mm
D	19	mm
H	7	mm
d ₁	≈ 18.8	mm
D ₁	≈ 8.2	mm
r _{1,2}	min. 0.3	mm

Abutment dimensions



d _a	min.	14.5	mm
D _a	max.	12.5	mm
r _a	max.	0.3	mm

Calculation data

Basic dynamic load rating	C	3.19	kN
Basic static load rating	C	3.8	kN
Fatigue load limit	P _u	0.143	kN
Reference speed		12000	r/min
Limiting speed		17000	r/min
Minimum load factor	A	0.000075	

Mass

Mass bearing (including seat washer where applicable)		0.0091	kg
---	--	--------	----