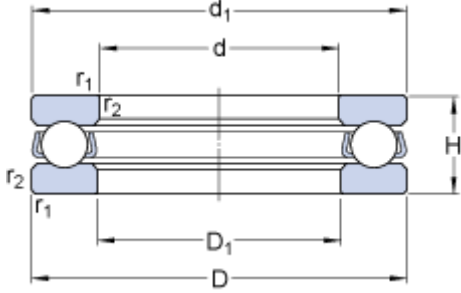


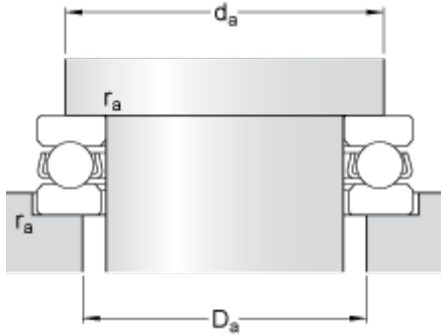
BA 7

Dimensions



d	7	mm
D	17	mm
H	6	mm
d_1	≈ 16.8	mm
D_1	≈ 7.2	mm
$r_{1,2}$	min. 0.2	mm

Abutment dimensions



d_a	min. 12.5	mm
D_a	max. 11	mm
r_a	max. 0.2	mm

Calculation data

Basic dynamic load rating	C	2.51	kN
Basic static load rating	C	2.9	kN
Fatigue load limit	P_u	0.108	kN
Reference speed		14000	r/min
Limiting speed		19000	r/min
Minimum load factor	A	0.000044	

Mass

Mass bearing (including seat washer where applicable)		0.0065	kg
---	--	--------	----