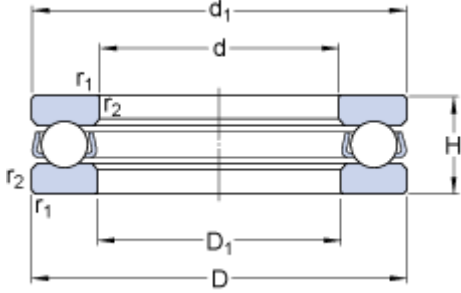


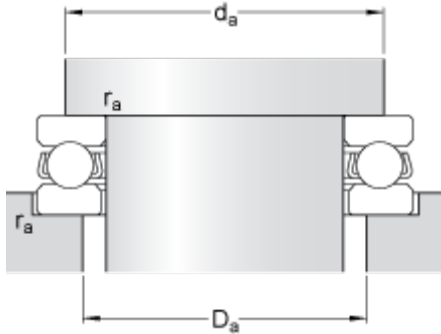
BA 6

Dimensions



d	6	mm
D	14	mm
H	5	mm
d ₁	≈ 13.8	mm
D ₁	≈ 6.2	mm
r _{1,2}	min. 0.2	mm

Abutment dimensions



d _a	min.	11	mm
D _a	max.	9.5	mm
r _a	max.	0.2	mm

Calculation data

Basic dynamic load rating	C	1.78	kN
Basic static load rating	C	1.92	kN
Fatigue load limit	P _u	0.071	kN
Reference speed		17000	r/min
Limiting speed		24000	r/min
Minimum load factor	A	0.000019	

Mass

Mass bearing (including seat washer where applicable)		0.0035	kg
---	--	--------	----