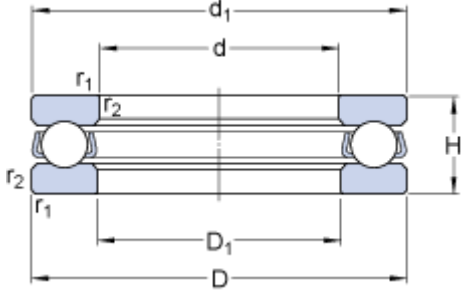


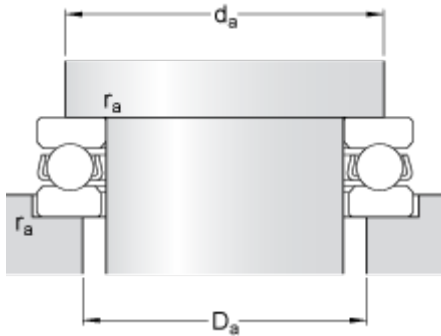
BA 5

Dimensions



d	5	mm
D	12	mm
H	4	mm
d ₁	≈ 11.8	mm
D ₁	≈ 5.2	mm
r _{1,2}	min. 0.15	mm

Abutment dimensions



d _a	min. 8	mm
D _a	max. 9	mm
r _a	max. 0.15	mm

Calculation data

Basic dynamic load rating	C	0.852	kN
Basic static load rating	C	0.965	kN
Fatigue load limit	P _u	0.036	kN
Reference speed		20000	r/min
Limiting speed		28000	r/min
Minimum load factor	A	0.000005	

Mass

Mass bearing (including seat washer where applicable)		0.0021	kg
---	--	--------	----