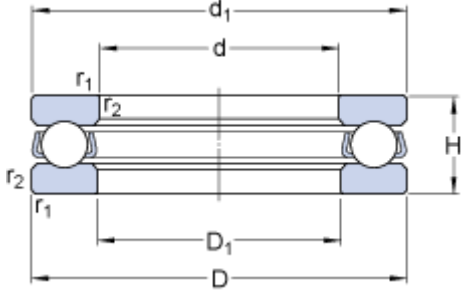


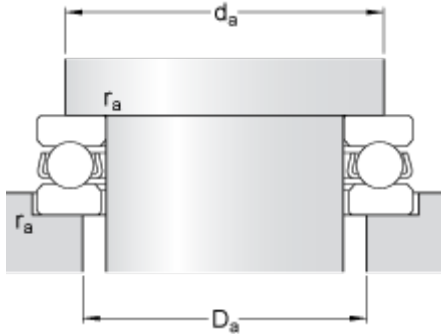
# BA 4

## Dimensions



d	4	mm
D	10	mm
H	4	mm
d <sub>1</sub>	≈ 9.8	mm
D <sub>1</sub>	≈ 4.2	mm
r <sub>1,2</sub>	min. 0.15	mm

## Abutment dimensions



d <sub>a</sub>	min. 7.5	mm
D <sub>a</sub>	max. 6.5	mm
r <sub>a</sub>	max. 0.15	mm

## Calculation data

Basic dynamic load rating	C	0.761	kN
Basic static load rating	C	0.72	kN
Fatigue load limit	P <sub>u</sub>	0.027	kN
Reference speed		22000	r/min
Limiting speed		30000	r/min
Minimum load factor	A	0.000003	

## Mass

Mass bearing (including seat washer where applicable)	0.0015	kg
-------------------------------------------------------	--------	----