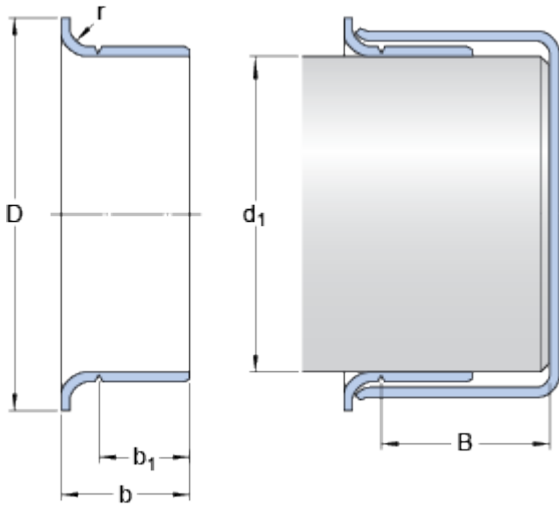


99571

Dimensions



Shaft diameter range

d_1	min.	144.755	mm
-------	------	---------	----

d_1	max.	144.983	mm
-------	------	---------	----

Nominal dimensions

d_1		145	mm
-------	--	-----	----

D		154.94	mm
-----	--	--------	----

	\pm	1.6	mm
--	-------	-----	----

b		22.225	mm
-----	--	--------	----

	\pm	0.8	mm
--	-------	-----	----

b_1		19.05	mm
-------	--	-------	----

	\pm	0.8	mm
--	-------	-----	----

B	max.	46.025	mm
-----	------	--------	----

r	max.	3.18	mm
-----	------	------	----