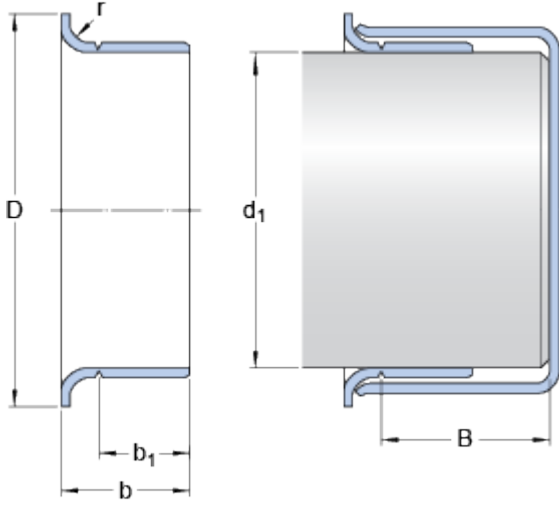


# 99473

## Dimensions



### Shaft diameter range

$d_1$	min.	119.888	mm
-------	------	---------	----

$d_1$	max.	120.091	mm
-------	------	---------	----

### Nominal dimensions

$d_1$		120	mm
-------	--	-----	----

$D$		129.794	mm
-----	--	---------	----

	$\pm$	1.6	mm
--	-------	-----	----

$b$		24.994	mm
-----	--	--------	----

	$\pm$	0.8	mm
--	-------	-----	----

$b_1$		19.99	mm
-------	--	-------	----

	$\pm$	0.8	mm
--	-------	-----	----

$B$	max.	32.004	mm
-----	------	--------	----

$r$	max.	3.18	mm
-----	------	------	----