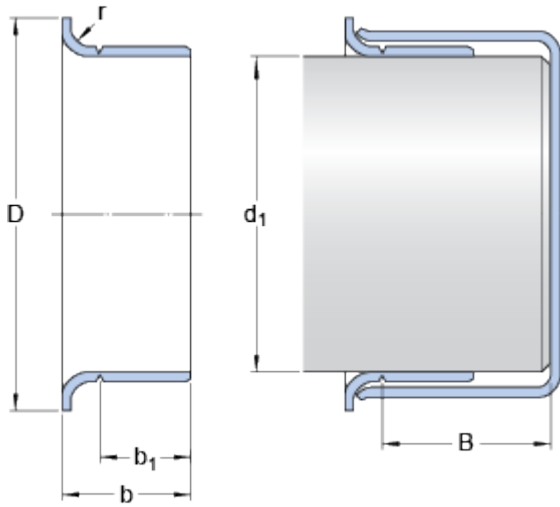


99452

Dimensions



Shaft diameter range

d_1	min.	114.884	mm
-------	------	---------	----

d_1	max.	115.087	mm
-------	------	---------	----

Nominal dimensions

d_1		115	mm
-------	--	-----	----

D		127	mm
-----	--	-----	----

	\pm	1.6	mm
--	-------	-----	----

b		23.825	mm
-----	--	--------	----

	\pm	0.8	mm
--	-------	-----	----

b_1		20.65	mm
-------	--	-------	----

	\pm	0.8	mm
--	-------	-----	----

B	max.	31.75	mm
-----	------	-------	----

r	max.	3.18	mm
-----	------	------	----