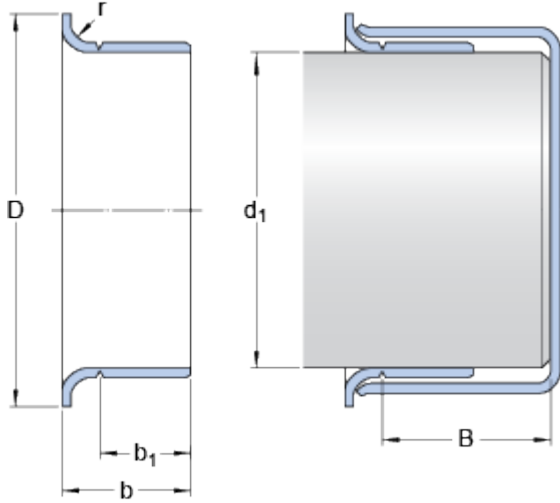


99434

Dimensions



Shaft diameter range

d_1	min.	109.779	mm
-------	------	---------	----

d_1	max.	109.982	mm
-------	------	---------	----

Nominal dimensions

d_1		110	mm
-------	--	-----	----

D		124.993	mm
-----	--	---------	----

	\pm	1.6	mm
--	-------	-----	----

b		14.961	mm
-----	--	--------	----

	\pm	0.8	mm
--	-------	-----	----

b_1		11.379	mm
-------	--	--------	----

	\pm	0.8	mm
--	-------	-----	----

B	max.	32.944	mm
-----	------	--------	----

r	max.	3.18	mm
-----	------	------	----