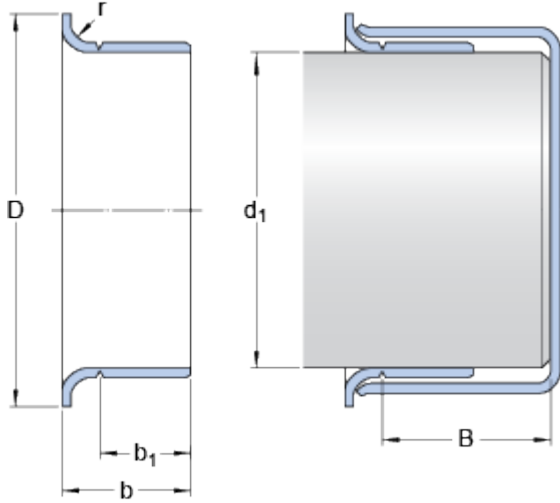


99328

Dimensions



Shaft diameter range

d_1	min.	81.915	mm
-------	------	--------	----

d_1	max.	82.093	mm
-------	------	--------	----

Nominal dimensions

d_1		82	mm
-------	--	----	----

D		91.059	mm
-----	--	--------	----

	\pm	1.6	mm
--	-------	-----	----

b		21.539	mm
-----	--	--------	----

	\pm	0.8	mm
--	-------	-----	----

b_1		16.764	mm
-------	--	--------	----

	\pm	0.8	mm
--	-------	-----	----

B	max.	44.45	mm
-----	------	-------	----

r	max.	3.18	mm
-----	------	------	----