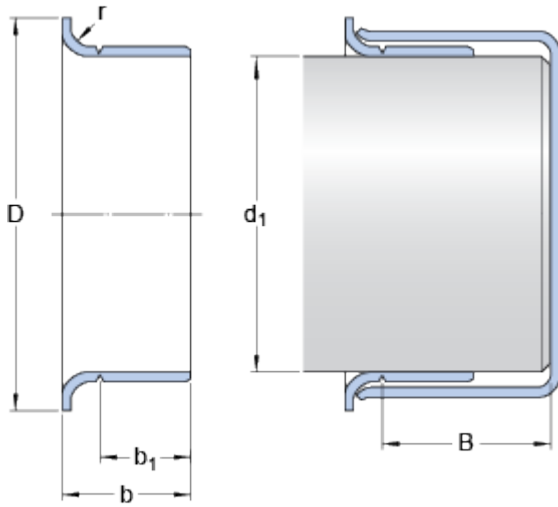


99296

Dimensions



Shaft diameter range

d_1	min.	76.124	mm
-------	------	--------	----

d_1	max.	76.302	mm
-------	------	--------	----

Nominal dimensions

d_1		76.2	mm
-------	--	------	----

D		82.296	mm
-----	--	--------	----

	\pm	1.6	mm
--	-------	-----	----

b		23.825	mm
-----	--	--------	----

	\pm	0.8	mm
--	-------	-----	----

b_1		20.65	mm
-------	--	-------	----

	\pm	0.8	mm
--	-------	-----	----

B	max.	34.925	mm
-----	------	--------	----

r	max.	3.18	mm
-----	------	------	----