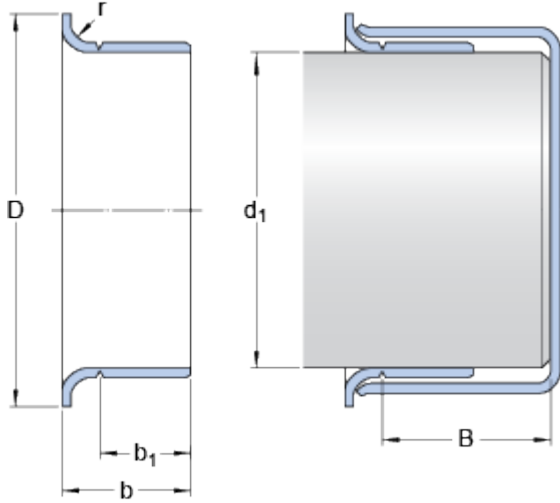


99294

Dimensions



Shaft diameter range

d_1	min.	74.93	mm
-------	------	-------	----

d_1	max.	75.108	mm
-------	------	--------	----

Nominal dimensions

d_1		75	mm
-------	--	----	----

D		83.947	mm
-----	--	--------	----

	\pm	1.6	mm
--	-------	-----	----

b		26.01	mm
-----	--	-------	----

	\pm	0.8	mm
--	-------	-----	----

b_1		21.996	mm
-------	--	--------	----

	\pm	0.8	mm
--	-------	-----	----

B	max.	33.35	mm
-----	------	-------	----

r	max.	3.18	mm
-----	------	------	----