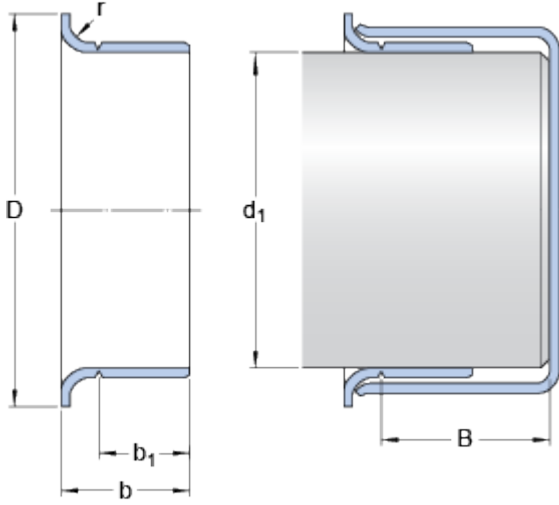


99267

Dimensions



Shaft diameter range

d_1	min.	69.774	mm
-------	------	--------	----

d_1	max.	69.952	mm
-------	------	--------	----

Nominal dimensions

d_1		69.85	mm
-------	--	-------	----

D		78.105	mm
---	--	--------	----

\pm		1.6	mm
-------	--	-----	----

b		41.275	mm
---	--	--------	----

\pm		0.8	mm
-------	--	-----	----

b_1		36.525	mm
-------	--	--------	----

\pm		0.8	mm
-------	--	-----	----

B	max.	41.275	mm
---	------	--------	----

r	max.	3.18	mm
---	------	------	----