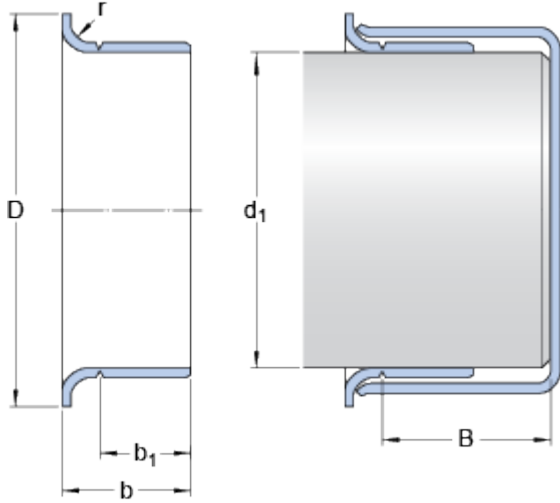


99264

Dimensions



Shaft diameter range

d_1	min.	66.573	mm
-------	------	--------	----

d_1	max.	66.751	mm
-------	------	--------	----

Nominal dimensions

d_1		66.675	mm
-------	--	--------	----

D		77.394	mm
-----	--	--------	----

	\pm	1.6	mm
--	-------	-----	----

b		23.012	mm
-----	--	--------	----

	\pm	0.8	mm
--	-------	-----	----

b_1		19.837	mm
-------	--	--------	----

	\pm	0.8	mm
--	-------	-----	----

B	max.	34.925	mm
-----	------	--------	----

r	max.	3.18	mm
-----	------	------	----