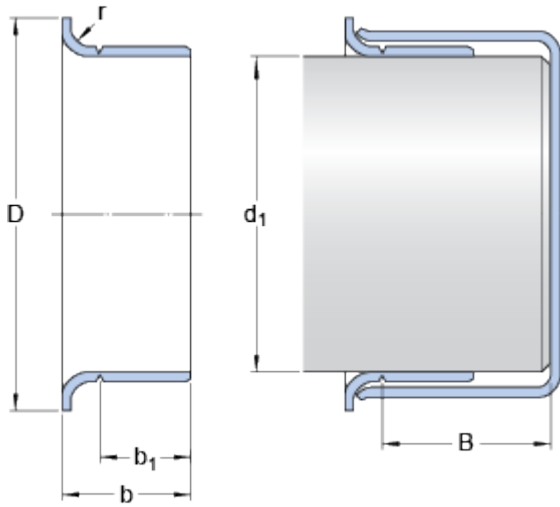


99240

Dimensions



Shaft diameter range

d_1	min.	60.3	mm
-------	------	------	----

d_1	max.	60.452	mm
-------	------	--------	----

Nominal dimensions

d_1		60.325	mm
-------	--	--------	----

D		69.85	mm
---	--	-------	----

	\pm	1.6	mm
--	-------	-----	----

b		17.348	mm
---	--	--------	----

	\pm	0.8	mm
--	-------	-----	----

b_1		13.36	mm
-------	--	-------	----

	\pm	0.8	mm
--	-------	-----	----

B	max.	34.925	mm
---	------	--------	----

r	max.	3.18	mm
---	------	------	----