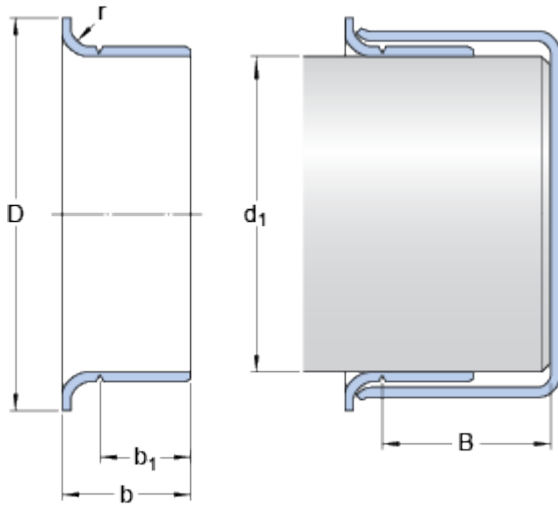


99199

Dimensions



Shaft diameter range

d_1	min.	50.724	mm
-------	------	--------	----

d_1	max.	50.876	mm
-------	------	--------	----

Nominal dimensions

d_1		50.8	mm
-------	--	------	----

D		61.112	mm
-----	--	--------	----

	\pm	1.6	mm
--	-------	-----	----

b		17.475	mm
-----	--	--------	----

	\pm	0.8	mm
--	-------	-----	----

b_1		14.3	mm
-------	--	------	----

	\pm	0.8	mm
--	-------	-----	----

B	max.	25.4	mm
-----	------	------	----

r	max.	3.18	mm
-----	------	------	----