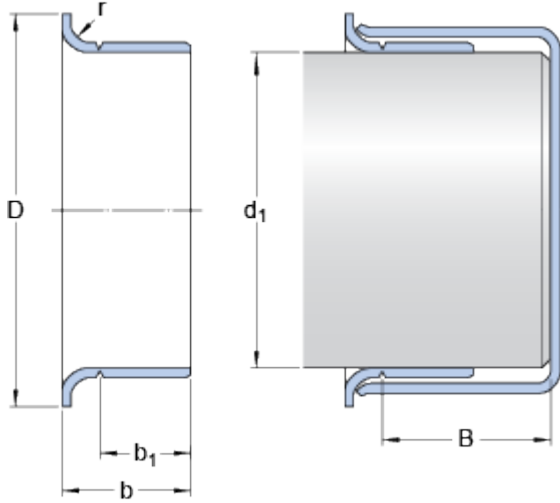


99196

Dimensions



Shaft diameter range

d_1	min.	49.911	mm
-------	------	--------	----

d_1	max.	50.063	mm
-------	------	--------	----

Nominal dimensions

d_1		50	mm
-------	--	----	----

D		56.998	mm
-----	--	--------	----

	\pm	1.6	mm
--	-------	-----	----

b		16.967	mm
-----	--	--------	----

	\pm	0.8	mm
--	-------	-----	----

b_1		13.995	mm
-------	--	--------	----

	\pm	0.8	mm
--	-------	-----	----

B	max.	24.994	mm
-----	------	--------	----

r	max.	3.18	mm
-----	------	------	----