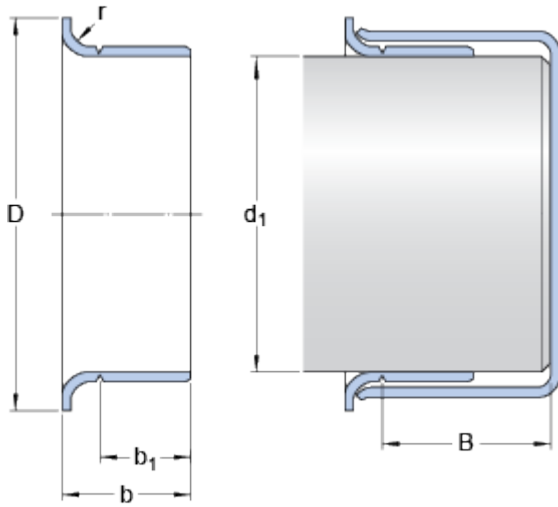


# 99189

## Dimensions



### Shaft diameter range

$d_1$	min.	47.93	mm
-------	------	-------	----

$d_1$	max.	48.082	mm
-------	------	--------	----

### Nominal dimensions

$d_1$		48	mm
-------	--	----	----

$D$		56.007	mm
-----	--	--------	----

	$\pm$	1.6	mm
--	-------	-----	----

$b$		16.967	mm
-----	--	--------	----

	$\pm$	0.8	mm
--	-------	-----	----

$b_1$		13.995	mm
-------	--	--------	----

	$\pm$	0.8	mm
--	-------	-----	----

$B$	max.	24.994	mm
-----	------	--------	----

$r$	max.	3.18	mm
-----	------	------	----