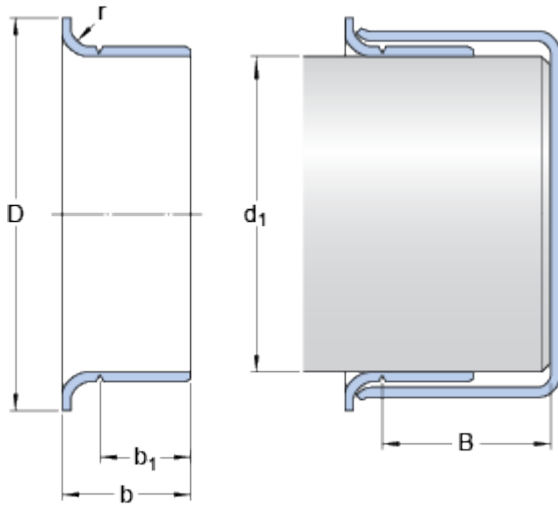


99174

Dimensions



Shaft diameter range

d_1	min.	44.374	mm
-------	------	--------	----

d_1	max.	44.526	mm
-------	------	--------	----

Nominal dimensions

d_1		44.45	mm
-------	--	-------	----

D		52.4	mm
-----	--	------	----

	\pm	1.6	mm
--	-------	-----	----

b		17.475	mm
-----	--	--------	----

	\pm	0.8	mm
--	-------	-----	----

b_1		14.3	mm
-------	--	------	----

	\pm	0.8	mm
--	-------	-----	----

B	max.	20.65	mm
-----	------	-------	----

r	max.	3.18	mm
-----	------	------	----