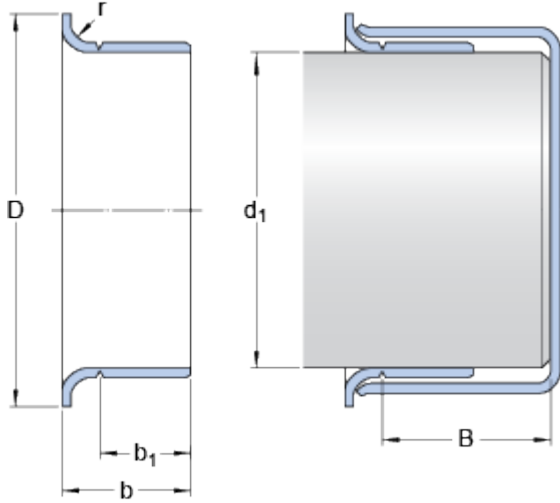


# 99166

## Dimensions



### Shaft diameter range

$d_1$	min.	41.834	mm
-------	------	--------	----

$d_1$	max.	41.986	mm
-------	------	--------	----

### Nominal dimensions

$d_1$		42	mm
-------	--	----	----

$D$		53.01	mm
-----	--	-------	----

	$\pm$	1.6	mm
--	-------	-----	----

$b$		14.503	mm
-----	--	--------	----

	$\pm$	0.8	mm
--	-------	-----	----

$b_1$		11.303	mm
-------	--	--------	----

	$\pm$	0.8	mm
--	-------	-----	----

$B$	max.	21.488	mm
-----	------	--------	----

$r$	max.	3.18	mm
-----	------	------	----