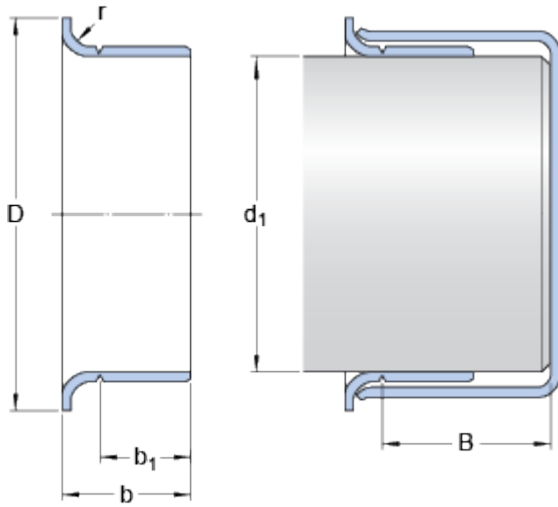


99144

Dimensions



Shaft diameter range

d_1	min.	36.449	mm
-------	------	--------	----

d_1	max.	36.601	mm
-------	------	--------	----

Nominal dimensions

d_1		36.525	mm
-------	--	--------	----

D		45.237	mm
-----	--	--------	----

\pm		1.6	mm
-------	--	-----	----

b		12.7	mm
-----	--	------	----

\pm		0.8	mm
-------	--	-----	----

b_1		9.525	mm
-------	--	-------	----

\pm		0.8	mm
-------	--	-----	----

B	max.	25.806	mm
-----	------	--------	----

r	max.	3.18	mm
-----	------	------	----