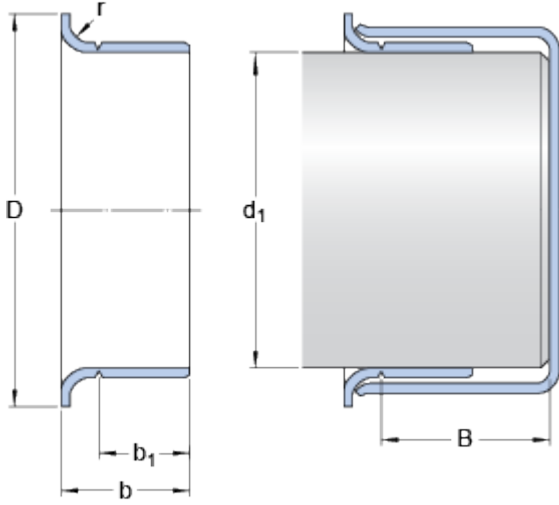


99129

Dimensions



Shaft diameter range

d_1	min.	33.223	mm
-------	------	--------	----

d_1	max.	33.376	mm
-------	------	--------	----

Nominal dimensions

d_1		33.35	mm
-------	--	-------	----

D		40.64	mm
-----	--	-------	----

	\pm	1.6	mm
--	-------	-----	----

b		9.525	mm
-----	--	-------	----

	\pm	0.8	mm
--	-------	-----	----

b_1		6.35	mm
-------	--	------	----

	\pm	0.8	mm
--	-------	-----	----

B	max.	20.65	mm
-----	------	-------	----

r	max.	3.18	mm
-----	------	------	----