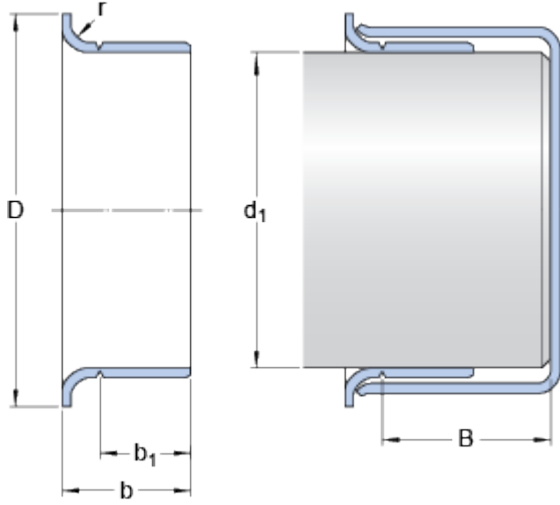


99116

Dimensions



Shaft diameter range

d_1	min.	28.524	mm
-------	------	--------	----

d_1	max.	28.651	mm
-------	------	--------	----

Nominal dimensions

d_1		28.575	mm
-------	--	--------	----

D		38.1	mm
-----	--	------	----

	\pm	1.6	mm
--	-------	-----	----

b		12.7	mm
-----	--	------	----

	\pm	0.8	mm
--	-------	-----	----

b_1		9.525	mm
-------	--	-------	----

	\pm	0.8	mm
--	-------	-----	----

B	max.	17.475	mm
-----	------	--------	----

r	max.	3.18	mm
-----	------	------	----