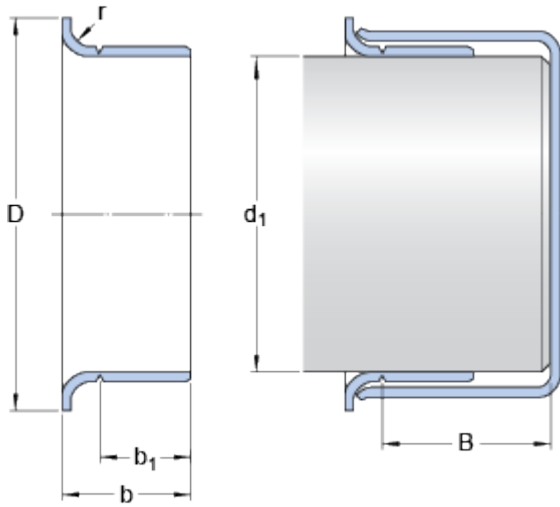


# 99112

## Dimensions



### Shaft diameter range

$d_1$	min.	28.524	mm
-------	------	--------	----

$d_1$	max.	28.651	mm
-------	------	--------	----

### Nominal dimensions

$d_1$		28.575	mm
-------	--	--------	----

$D$		38.1	mm
-----	--	------	----

	$\pm$	1.6	mm
--	-------	-----	----

$b$		11.125	mm
-----	--	--------	----

	$\pm$	0.8	mm
--	-------	-----	----

$b_1$		7.95	mm
-------	--	------	----

	$\pm$	0.8	mm
--	-------	-----	----

$B$	max.	17.475	mm
-----	------	--------	----

$r$	max.	3.18	mm
-----	------	------	----