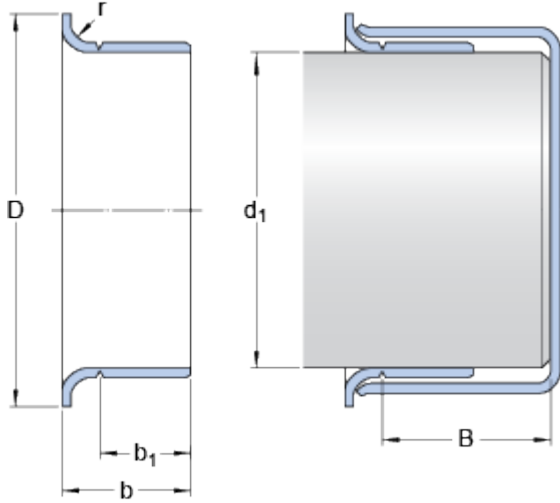


99106

Dimensions



Shaft diameter range

d_1	min.	26.924	mm
-------	------	--------	----

d_1	max.	27.051	mm
-------	------	--------	----

Nominal dimensions

d_1		27	mm
-------	--	----	----

D		33.528	mm
-----	--	--------	----

	\pm	1.6	mm
--	-------	-----	----

b		11.125	mm
-----	--	--------	----

	\pm	0.8	mm
--	-------	-----	----

b_1		7.95	mm
-------	--	------	----

	\pm	0.8	mm
--	-------	-----	----

B	max.	46.812	mm
-----	------	--------	----

r	max.	3.18	mm
-----	------	------	----