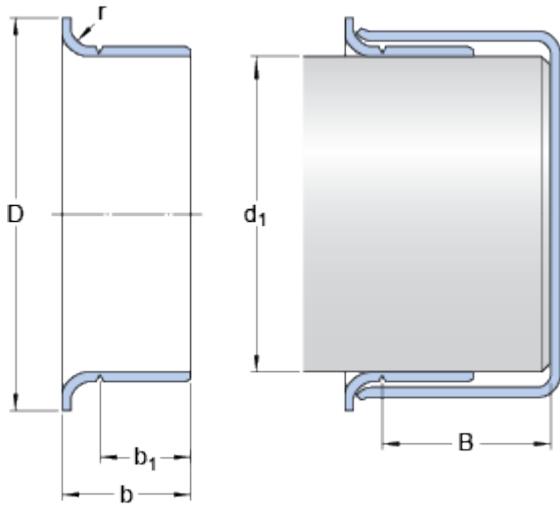


99082

Dimensions



Shaft diameter range

d_1	min.	17.882	mm
-------	------	--------	----

d_1	max.	17.983	mm
-------	------	--------	----

Nominal dimensions

d_1		18	mm
-------	--	----	----

D		24.435	mm
-----	--	--------	----

	\pm	1.6	mm
--	-------	-----	----

b		10.998	mm
-----	--	--------	----

	\pm	0.8	mm
--	-------	-----	----

b_1		8.001	mm
-------	--	-------	----

	\pm	0.8	mm
--	-------	-----	----

B	max.	45.999	mm
-----	------	--------	----

r	max.	3.18	mm
-----	------	------	----