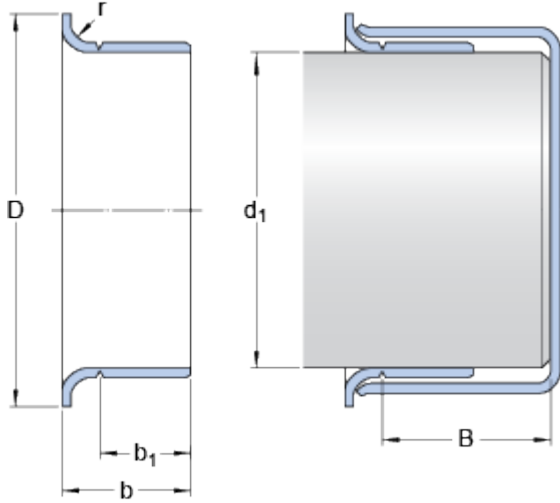


99076

Dimensions



Shaft diameter range

d_1	min.	18.999	mm
-------	------	--------	----

d_1	max.	19.101	mm
-------	------	--------	----

Nominal dimensions

d_1		19.05	mm
-------	--	-------	----

D		24.003	mm
-----	--	--------	----

	\pm	1.6	mm
--	-------	-----	----

b		11.125	mm
-----	--	--------	----

	\pm	0.8	mm
--	-------	-----	----

b_1		7.95	mm
-------	--	------	----

	\pm	0.8	mm
--	-------	-----	----

B	max.	50.8	mm
-----	------	------	----

r	max.	3.18	mm
-----	------	------	----