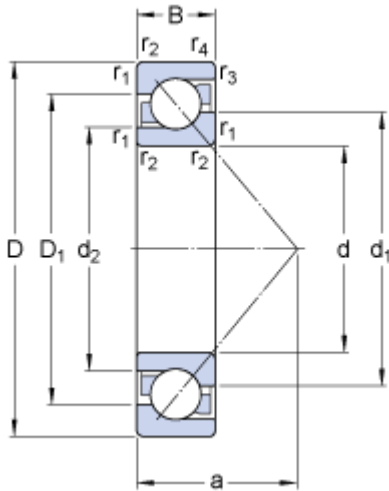


# 7314 BECBJ

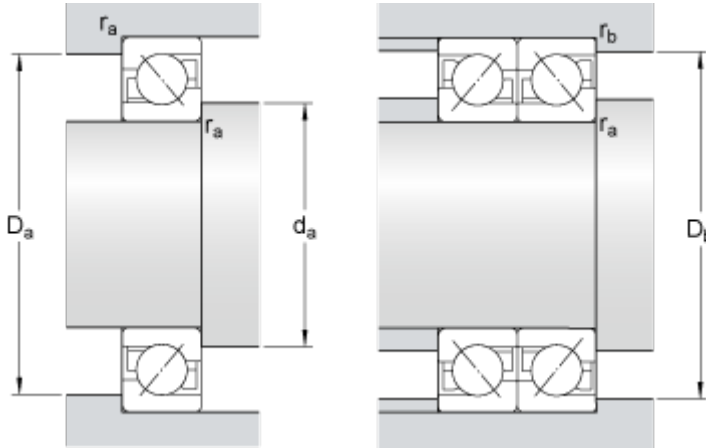
SKF Explorer

## Dimensions



d	70	mm
D	150	mm
B	35	mm
d <sub>1</sub>	≈ 101.1	mm
d <sub>2</sub>	≈ 84.4	mm
D <sub>1</sub>	≈ 121.5	mm
a	64	mm
r <sub>1,2</sub>	min. 2.1	mm
r <sub>3,4</sub>	min. 1.1	mm

## Abutment dimensions



d <sub>a</sub>	min. 82	mm
D <sub>a</sub>	max. 138	mm
D <sub>b</sub>	max. 143	mm
r <sub>a</sub>	max. 2	mm
r <sub>b</sub>	max. 1	mm

## Calculation data

Basic dynamic load rating	C	127	kN
Basic static load rating	C	98	kN
Fatigue load limit	P <sub>u</sub>	3.9	kN
Reference speed		4000	r/min
Limiting speed		5600	r/min
Calculation factor	A	0.145	
Calculation factor	k <sub>r</sub>	0.1	
Calculation factor	e	1.14	

## Single bearing or bearing pair arranged in tandem

Calculation factor	X	0.35
Calculation factor	Y	0.26
Calculation factor	Y <sub>2</sub>	0.57

## Bearing pair arranged back-to-back or face-to-face

Calculation factor	X	0.57
Calculation factor	Y	0.52

Calculation factor	$Y_1$	0.55
Calculation factor	$Y_2$	0.93

## Mass

---

Mass bearing		2.65	kg
--------------	--	------	----