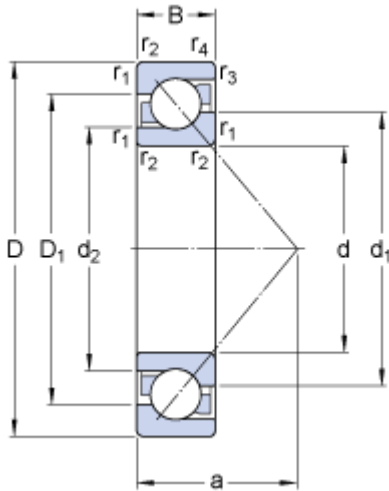


7310 BECBP

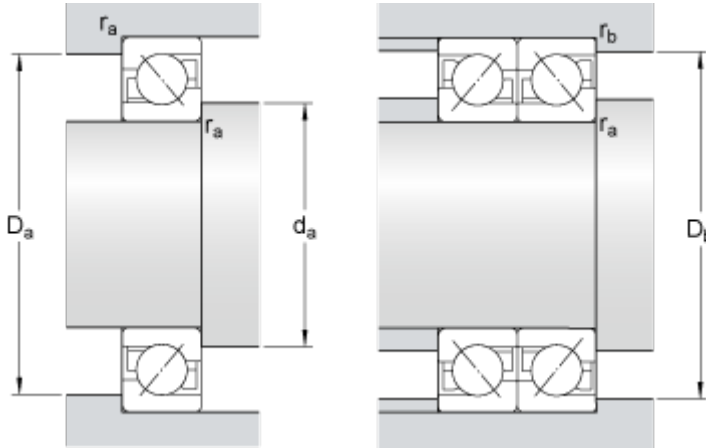
SKF Explorer

Dimensions



d	50	mm
D	110	mm
B	27	mm
d ₁	≈ 73.8	mm
d ₂	≈ 61.13	mm
D ₁	≈ 88.8	mm
a	47	mm
r _{1,2}	min. 2	mm
r _{3,4}	min. 1	mm

Abutment dimensions



d _a	min. 61	mm
D _a	max. 99	mm
D _b	max. 104	mm
r _a	max. 2	mm
r _b	max. 1	mm

Calculation data

Basic dynamic load rating	C	75	kN
Basic static load rating	C	51	kN
Fatigue load limit	P _u	2.16	kN
Reference speed		5300	r/min
Limiting speed		8000	r/min
Calculation factor	A	0.0418	
Calculation factor	k _r	0.1	
Calculation factor	e	1.14	

Single bearing or bearing pair arranged in tandem

Calculation factor	X	0.35
Calculation factor	Y	0.26
Calculation factor	Y ₂	0.57

Bearing pair arranged back-to-back or face-to-face

Calculation factor	X	0.57
Calculation factor	Y	0.52

Calculation factor	Y_1	0.55
Calculation factor	Y_2	0.93

Mass

Mass bearing		1.1	kg
--------------	--	-----	----