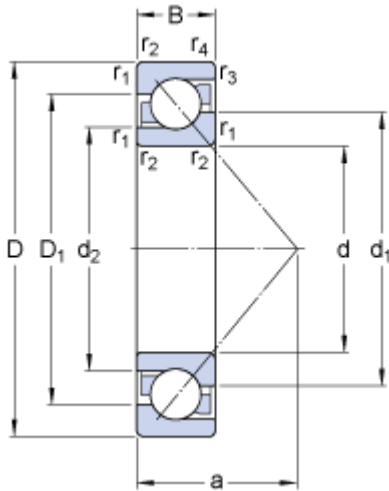


# 7309 BECBM

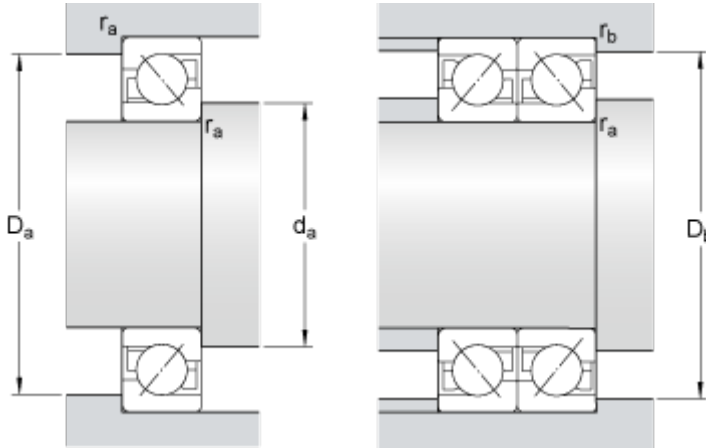
SKF Explorer

## Dimensions



d	45	mm
D	100	mm
B	25	mm
d <sub>1</sub>	≈ 66.5	mm
d <sub>2</sub>	≈ 55.25	mm
D <sub>1</sub>	≈ 79.9	mm
a	43	mm
r <sub>1,2</sub>	min. 1.5	mm
r <sub>3,4</sub>	min. 1	mm

## Abutment dimensions



d <sub>a</sub>	min. 54	mm
D <sub>a</sub>	max. 91	mm
D <sub>b</sub>	max. 94.4	mm
r <sub>a</sub>	max. 1.5	mm
r <sub>b</sub>	max. 1	mm

## Calculation data

Basic dynamic load rating	C	61	kN
Basic static load rating	C	40.5	kN
Fatigue load limit	P <sub>u</sub>	1.73	kN
Reference speed		6000	r/min
Limiting speed		11000	r/min
Calculation factor	A	0.0268	
Calculation factor	k <sub>r</sub>	0.1	
Calculation factor	e	1.14	

## Single bearing or bearing pair arranged in tandem

Calculation factor	X	0.35
Calculation factor	Y	0.26
Calculation factor	Y <sub>2</sub>	0.57

## Bearing pair arranged back-to-back or face-to-face

Calculation factor	X	0.57
Calculation factor	Y	0.52

Calculation factor	$Y_1$	0.55
Calculation factor	$Y_2$	0.93

### **Mass**

---

Mass bearing		0.91	kg
--------------	--	------	----