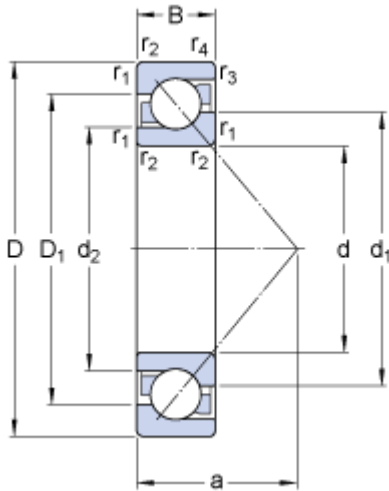


7308 BECBP

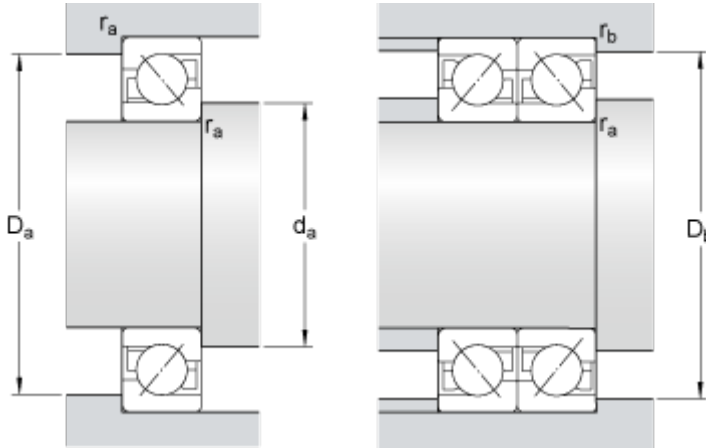
SKF Explorer

Dimensions



d	40	mm
D	90	mm
B	23	mm
d ₁	≈ 59.7	mm
d ₂	≈ 49.55	mm
D ₁	≈ 71.6	mm
a	39	mm
r _{1,2}	min. 1.5	mm
r _{3,4}	min. 1	mm

Abutment dimensions



d _a	min. 49	mm
D _a	max. 81	mm
D _b	max. 84.4	mm
r _a	max. 1.5	mm
r _b	max. 1	mm

Calculation data

Basic dynamic load rating	C	50	kN
Basic static load rating	C	32.5	kN
Fatigue load limit	P _u	1.37	kN
Reference speed		6700	r/min
Limiting speed		10000	r/min
Calculation factor	A	0.0173	
Calculation factor	k _r	0.1	
Calculation factor	e	1.14	

Single bearing or bearing pair arranged in tandem

Calculation factor	X	0.35
Calculation factor	Y	0.26
Calculation factor	Y ₂	0.57

Bearing pair arranged back-to-back or face-to-face

Calculation factor	X	0.57
Calculation factor	Y	0.52

Calculation factor	Y_1	0.55
Calculation factor	Y_2	0.93

Mass

Mass bearing		0.62	kg
--------------	--	------	----