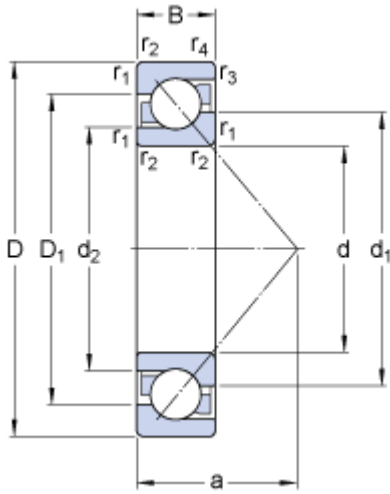


7222 BECBM

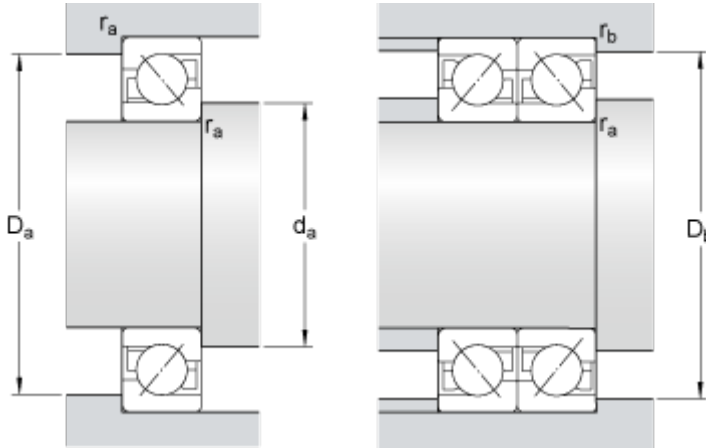
SKF Explorer

Dimensions



d	110	mm
D	200	mm
B	38	mm
d ₁	≈ 144.85	mm
d ₂	≈ 127.12	mm
D ₁	≈ 167.35	mm
a	84	mm
r _{1,2}	min. 2.1	mm
r _{3,4}	min. 1.1	mm

Abutment dimensions



d _a	min. 122	mm
D _a	max. 188	mm
D _b	max. 193	mm
r _a	max. 2	mm
r _b	max. 1	mm

Calculation data

Basic dynamic load rating	C	163	kN
Basic static load rating	C	156	kN
Fatigue load limit	P _u	5.3	kN
Reference speed		2800	r/min
Limiting speed		5000	r/min
Calculation factor	A	0.353	
Calculation factor	k _r	0.095	
Calculation factor	e	1.14	

Single bearing or bearing pair arranged in tandem

Calculation factor	X	0.35
Calculation factor	Y	0.26
Calculation factor	Y ₂	0.57

Bearing pair arranged back-to-back or face-to-face

Calculation factor	X	0.57
Calculation factor	Y	0.52

Calculation factor	Y_1	0.55
Calculation factor	Y_2	0.93

Mass

Mass bearing		4.6	kg
--------------	--	-----	----