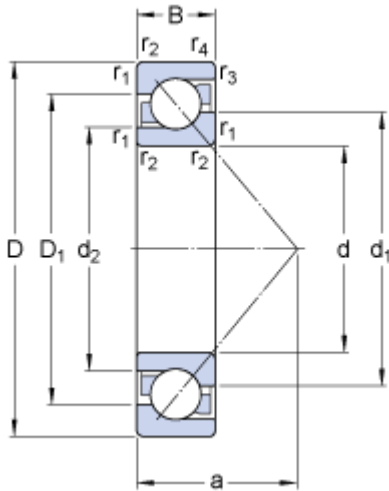


7215 BECBM

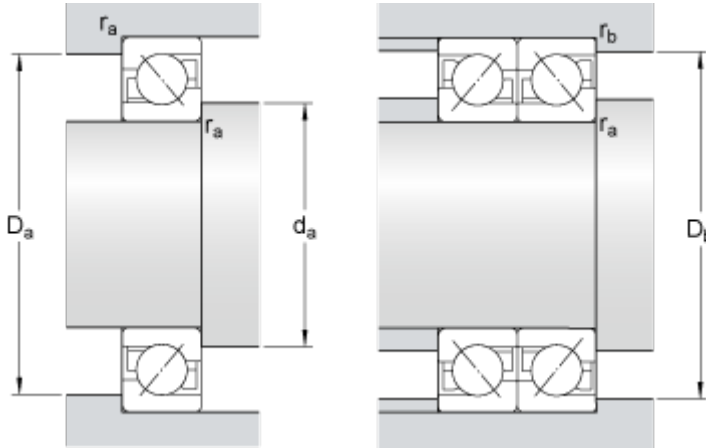
SKF Explorer

Dimensions



d	75	mm
D	130	mm
B	25	mm
d ₁	≈ 96.3	mm
d ₂	≈ 85.25	mm
D ₁	≈ 110.1	mm
a	56	mm
r _{1,2}	min. 1.5	mm
r _{3,4}	min. 1	mm

Abutment dimensions



d _a	min. 84	mm
D _a	max. 121	mm
D _b	max. 124	mm
r _a	max. 1.5	mm
r _b	max. 1	mm

Calculation data

Basic dynamic load rating	C	73.5	kN
Basic static load rating	C	65.5	kN
Fatigue load limit	P _u	2.7	kN
Reference speed		6300	r/min
Limiting speed		6300	r/min
Calculation factor	A	0.0599	
Calculation factor	k _r	0.095	
Calculation factor	e	1.14	

Single bearing or bearing pair arranged in tandem

Calculation factor	X	0.35
Calculation factor	Y	0.26
Calculation factor	Y ₂	0.57

Bearing pair arranged back-to-back or face-to-face

Calculation factor	X	0.57
Calculation factor	Y	0.52

Calculation factor	Y_1	0.55
Calculation factor	Y_2	0.93

Mass

Mass bearing		1.2	kg
--------------	--	-----	----