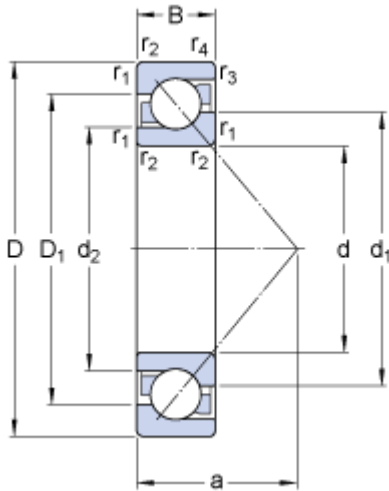


# 7212 BEGAP

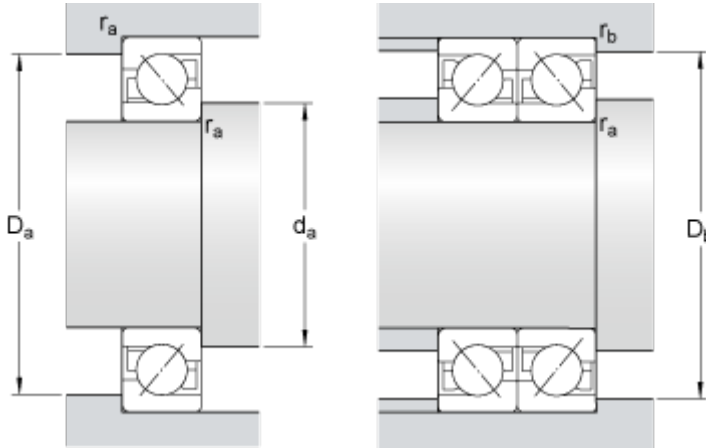
SKF Explorer

## Dimensions



d	60	mm
D	110	mm
B	22	mm
d <sub>1</sub>	≈ 79.6	mm
d <sub>2</sub>	≈ 69.32	mm
D <sub>1</sub>	≈ 91.55	mm
a	47	mm
r <sub>1,2</sub>	min. 1.5	mm
r <sub>3,4</sub>	min. 1	mm

## Abutment dimensions



d <sub>a</sub>	min. 69	mm
D <sub>a</sub>	max. 101	mm
D <sub>b</sub>	max. 104	mm
r <sub>a</sub>	max. 1.5	mm
r <sub>b</sub>	max. 1	mm

## Calculation data

Basic dynamic load rating	C	61	kN
Basic static load rating	C	50	kN
Fatigue load limit	P <sub>u</sub>	2.12	kN
Reference speed		5000	r/min
Limiting speed		7500	r/min
Calculation factor	A	0.0344	
Calculation factor	k <sub>r</sub>	0.095	
Calculation factor	e	1.14	

## Single bearing or bearing pair arranged in tandem

Calculation factor	X	0.35
Calculation factor	Y	0.26
Calculation factor	Y <sub>2</sub>	0.57

## Bearing pair arranged back-to-back or face-to-face

Calculation factor	X	0.57
Calculation factor	Y	0.52

Calculation factor	$Y_1$	0.55
Calculation factor	$Y_2$	0.93

## Mass

---

Mass bearing		0.8	kg
--------------	--	-----	----