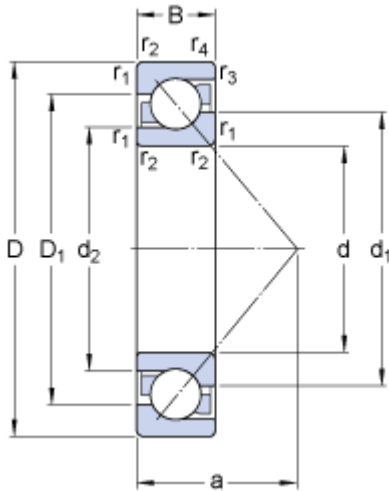


7210 BECBM

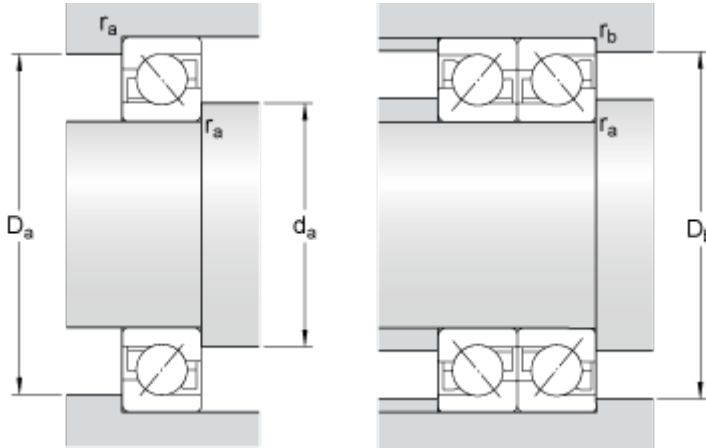
SKF Explorer

Dimensions



d	50	mm
D	90	mm
B	20	mm
d ₁	≈ 65.75	mm
d ₂	≈ 57.68	mm
D ₁	≈ 75.15	mm
a	39	mm
r _{1,2}	min. 1.1	mm
r _{3,4}	min. 0.6	mm

Abutment dimensions



d _a	min. 57	mm
D _a	max. 83	mm
D _b	max. 85.8	mm
r _a	max. 1	mm
r _b	max. 0.6	mm

Calculation data

Basic dynamic load rating	C	40	kN
Basic static load rating	C	31	kN
Fatigue load limit	P _u	1.32	kN
Reference speed		6300	r/min
Limiting speed		11000	r/min
Calculation factor	A	0.014	
Calculation factor	k _r	0.095	
Calculation factor	e	1.14	

Single bearing or bearing pair arranged in tandem

Calculation factor	X	0.35
Calculation factor	Y	0.26
Calculation factor	Y ₂	0.57

Bearing pair arranged back-to-back or face-to-face

Calculation factor	X	0.57
Calculation factor	Y	0.52

Calculation factor	Y_1	0.55
Calculation factor	Y_2	0.93

Mass

Mass bearing		0.47	kg
--------------	--	------	----