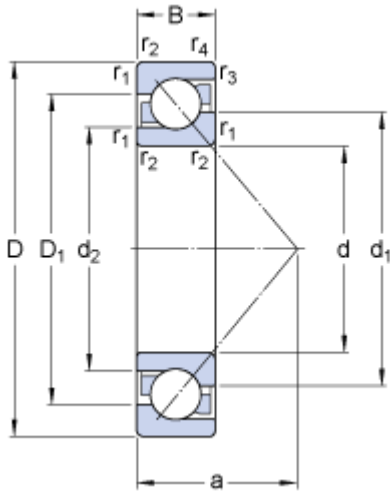


7209 BECBP

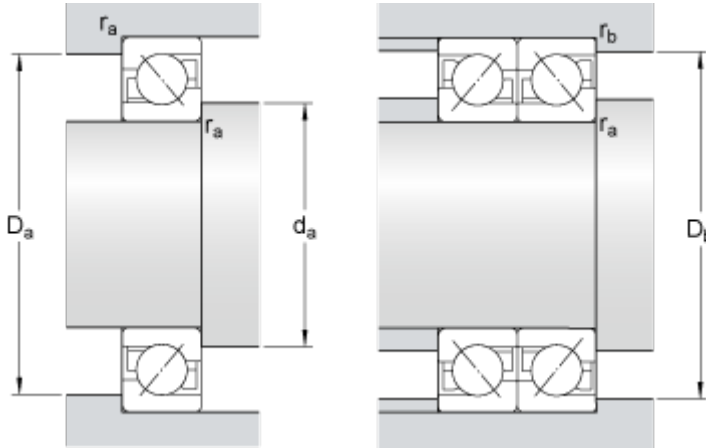
SKF Explorer

Dimensions



d	45	mm
D	85	mm
B	19	mm
d ₁	≈ 60.85	mm
d ₂	≈ 52.68	mm
D ₁	≈ 70.15	mm
a	37	mm
r _{1,2}	min. 1.1	mm
r _{3,4}	min. 0.6	mm

Abutment dimensions



d _a	min. 52	mm
D _a	max. 78	mm
D _b	max. 80.8	mm
r _a	max. 1	mm
r _b	max. 0.6	mm

Calculation data

Basic dynamic load rating	C	38	kN
Basic static load rating	C	28.5	kN
Fatigue load limit	P _u	1.22	kN
Reference speed		6700	r/min
Limiting speed		10000	r/min
Calculation factor	A	0.012	
Calculation factor	k _r	0.095	
Calculation factor	e	1.14	

Single bearing or bearing pair arranged in tandem

Calculation factor	X	0.35	
Calculation factor	Y	0.26	
Calculation factor	Y ₂	0.57	

Bearing pair arranged back-to-back or face-to-face

Calculation factor	X	0.57	
Calculation factor	Y	0.52	

Calculation factor	Y_1	0.55
Calculation factor	Y_2	0.93

Mass

Mass bearing		0.42	kg
--------------	--	------	----