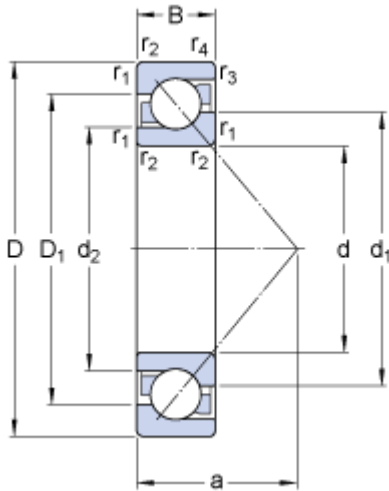


7207 BECBM

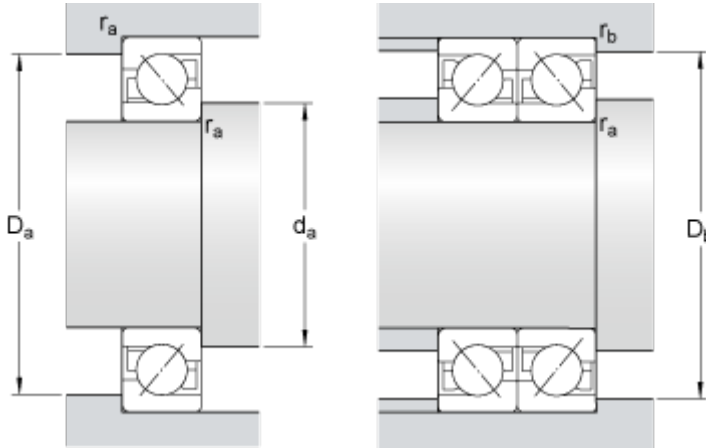
SKF Explorer

Dimensions



d	35	mm
D	72	mm
B	17	mm
d ₁	≈ 49.65	mm
d ₂	≈ 41.96	mm
D ₁	≈ 58.25	mm
a	31	mm
r _{1,2}	min. 1.1	mm
r _{3,4}	min. 0.6	mm

Abutment dimensions



d _a	min. 42	mm
D _a	max. 65	mm
D _b	max. 67.8	mm
r _a	max. 1	mm
r _b	max. 0.6	mm

Calculation data

Basic dynamic load rating	C	31	kN
Basic static load rating	C	20.8	kN
Fatigue load limit	P _u	0.88	kN
Reference speed		8000	r/min
Limiting speed		15000	r/min
Calculation factor	A	0.00674	
Calculation factor	k _r	0.095	
Calculation factor	e	1.14	

Single bearing or bearing pair arranged in tandem

Calculation factor	X	0.35
Calculation factor	Y	0.26
Calculation factor	Y ₂	0.57

Bearing pair arranged back-to-back or face-to-face

Calculation factor	X	0.57
Calculation factor	Y	0.52

Calculation factor	Y_1	0.55
Calculation factor	Y_2	0.93

Mass

Mass bearing		0.28	kg
--------------	--	------	----