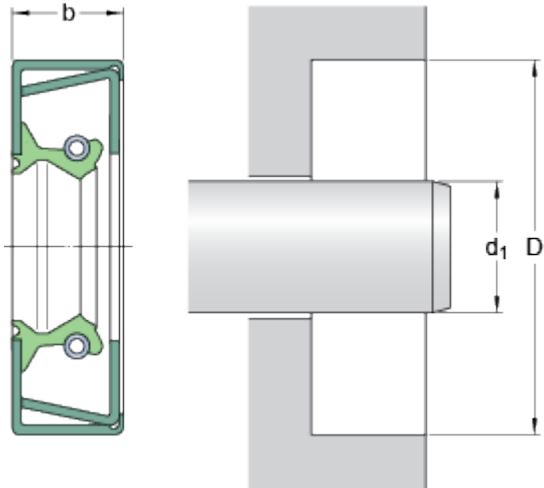


# 70x90x10 CRWHA1 P

## Dimensions



$d_1$	70	mm
D	90	mm
b	10	mm

## Application and operating conditions

Pressure differential	max.	0.07	MPa
Operating temperature	min.	-40	°C
Operating temperature	max.	150	°C
Operating temperature, short period	max.	175	°C
Rotational speed	max.	4911	r/min
Shaft surface speed	max.	18	m/s